



*Reinraumluft verhindern
cut Glanzverlust
Ausdehnung vermeiden
Achtung: keine
Achtung: keine
Achtung: keine*

Gentle drying using natural fibers

... to dry blanks with textiles



Linear textile dryer SFT100

**Without a proper drying
technology, high quality
finishing is not possible.**

Outstanding results for proof and circulation coin blanks

The coin industry is a competitive market which level of quality continues to increase. SPALECK systems offer the means to reach a high quality standard.

Textile drying technology

This technology has been developed for proof coins, including gold and silver. Due to the outstanding results, it was successfully transferred to the circulation blank production.

SPALECK drying technology for better results

- ◆ Dust-free and spot-free drying method with the pocket textile concept
- ◆ No trapping points
- ◆ Compatible with existing systems
- ◆ Low cost of ownership
- ◆ In-line with coin-servation technology



SFT25



SFT200



Drying Table



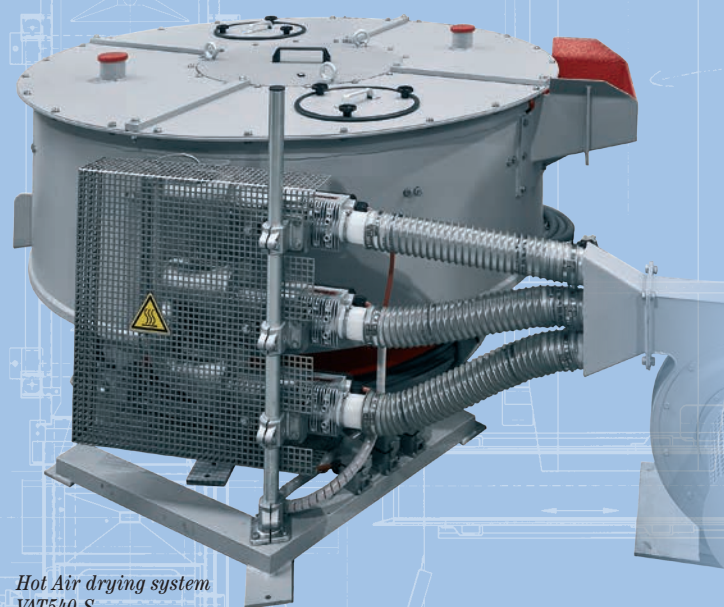
SFT100

Type	Drying area [mm]	Heating capacity [kW/h]	In-line [Yes/No]	Capacity [kg/h]
Drying Table	390 x 835	1,5	N	N/A
SFT25	320 x 2500	4,2	Y	200
SFT100	780 x 2500	9	Y	850
SFT200	2 x 780 x 2500	18	Y	1500

*Reliably and effectively
with Spuleck's (and
Ausschleusysteme (and
Ausschleusysteme (and*

Evaporating. Nature's way

... to dry blanks with hot air



*Hot Air drying system
VAT540-S*



Rinsing prior to drying



Water removal prior to drying

Hot air. A drying process which guarantees continue quality drying for circulation coin blanks. A clean proven process throughout the mint industry

Simple and Effective: Nothing More Than Hot Air

SPALECK technology is used world wide for deburring, drying and polishing of blanks of all types and sizes. Our systems are custom-designed for each application, based on our experience and your requirements.

Drying after plating

The SPALECK combination of rinsing, a specialized air knife application technology and hot air drying guarantees spot-free clean dried blanks.

The advantages of SPALECK process:

- ◆ uniform drying results at low temperature
- ◆ continuous or batch production
- ◆ dried blanks after plating will reduce acid consumption in final burnishing process
- ◆ a dust free well proven technology throughout the mint industry



Hot Air drying system VAT540-S

