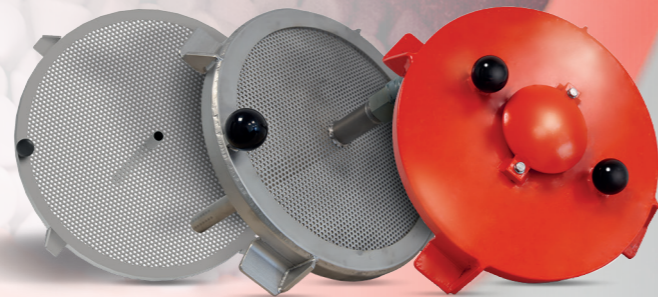


LID VERSIONS SC/PC



Closed lid (standard)

Material:

Lacquered steel

Application:

- Protection of the bulk material as well as splash protection for wet treatment

Rinsing lid (optional)

Material:

Perforated plate made of stainless steel with rotatable hose connection

Application:

- Clean treatment and shiny results thanks to a rinsing process
- For an easy separation of parts and grinding media
- Simplification of workflows in multi-stage processes

Screen lid (optional)

Material:

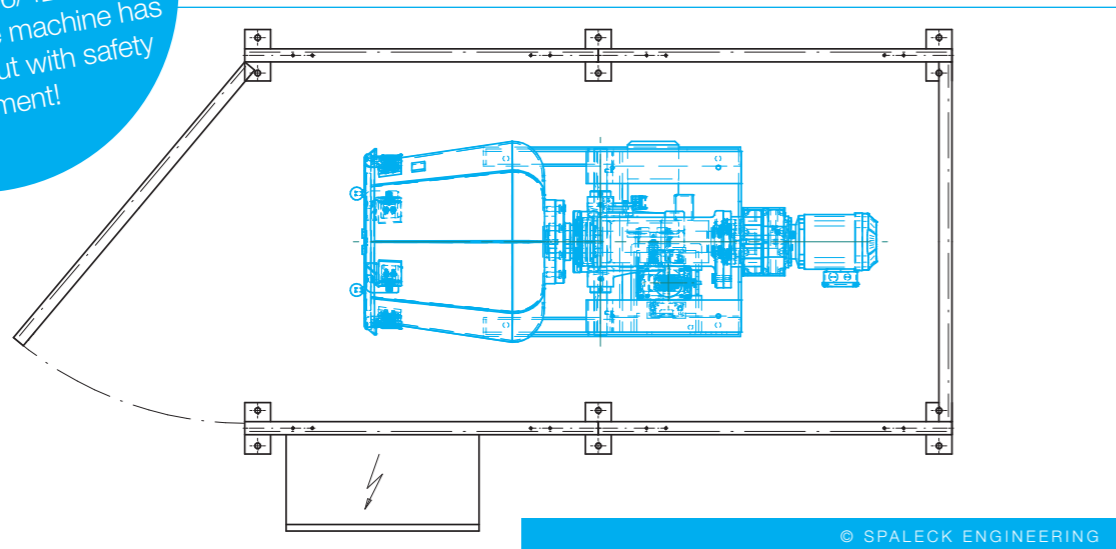
Perforated plate or wire screen made of stainless steel

Application:

- For an easy separation of parts and grinding media
- Simplification of workflows in multi-stage processes
- Dry processing, for example with shredded walnut

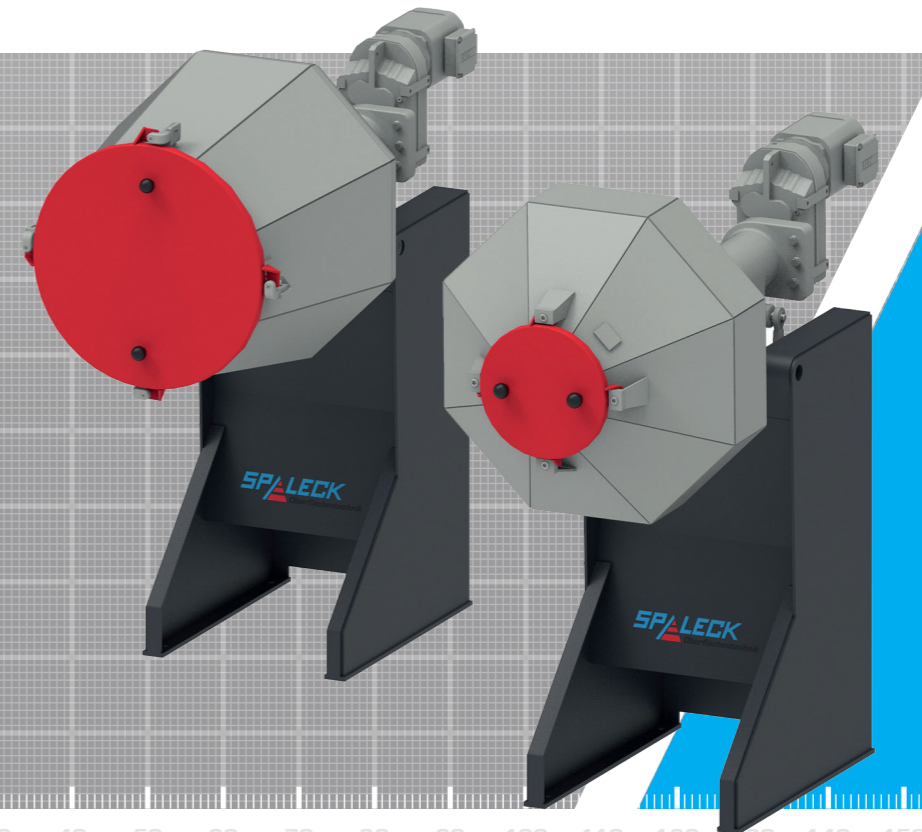
Installation information:

In accordance with machine guideline 2006/42/EG the installation of the machine has to be carried out with safety equipment!



© SPALECK ENGINEERING

VIBRATORY GRINDING BELLS SC/PC



Subject to misprints, errors and design deviations

www.bn-medienagentur.de

GLEITSCHLEIFLOCKEN SC/PC · eng · 06 · 2023

© SPALECK ENGINEERING

SC/PC

Deburring · Edge-radiusing · Cleaning Shining · Polishing

Bell body electro-mechanically pivotable, preferably used for the treatment of small and medium parts batches. Very fine surfaces can be achieved through a mutual treatment of parts by adding grinding additives and compounds. Possibility to treat particularly sensitive parts.



MADE IN GERMANY



VIBRATORY GRINDING BELLS SC

SPALECK VIBRATORY GRINDING BELLS SC/PC

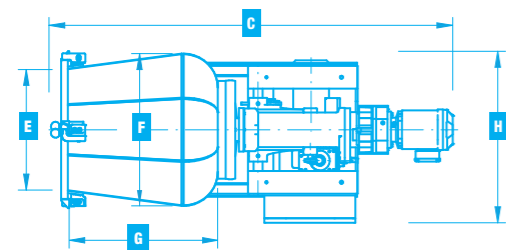
The machines are mainly used for wet treatment, for example cleaning, smoothing, polishing, ball-bur-nishing and deburring. Other fields of application are, for example, greasing with sterates or dry pro-cessing. This procedure is applied when sharp edges are to be eliminated without requiring a special surface finish.

Technical data:

Description		SC1	SC2	SC3	SC4
Bell volume	l	65	105	190	280
Max. filling weight	kg	140	180	270	340
Empty weight basic machine	kg	350	370	410	420
Bell speed (regular operation)	U/min	24	24	24	24
Drive power	kw	1,5	1,5	1,5	1,5

Dimensions in mm:

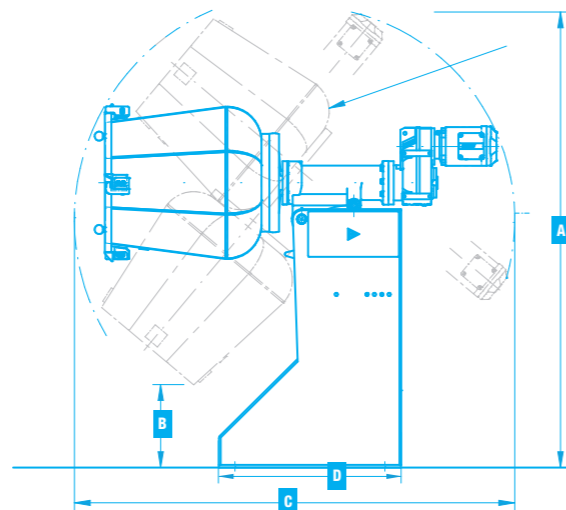
Description		SC1	SC2	SC3	SC4
Top edge pivoting area	A	2000	2000	2000	2000
Bottom edge tilted bell	B	520	460	410	370
Depth grinding bell	C	1750	1800	1850	1950
Depth base frame	D	800	800	800	800
Opening bell body	E	360	450	520	580
Width bell body	F	470	580	670	800
Depth bell body	G	480	530	670	760
Width grinding bell	H	720	720	750	810



SC

Technical features:

- Suitable for large parts
- Simplified evacuation of the working tub



VIBRATORY GRINDING BELLS PC

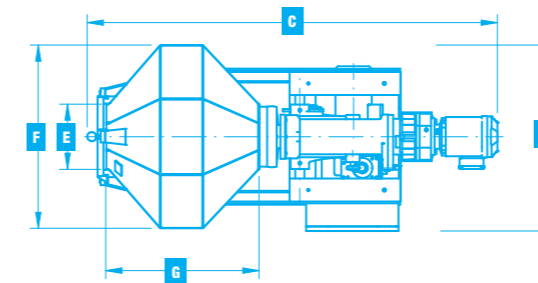
- For both types of machines (SC/PC) different bell sizes are selectable
- Different tub linings of the bells are available (uncoated, rubber or polyurethane)

Technical data:

Description		PC1	PC2	PC3	PC4
Bell volume	l	60	100	170	225
Max. filling weight	kg	150	200	280	340
Empty weight basic machine	kg	330	390	420	430
Bell speed (regular operation)	U/min	24	24	24	24
Drive power	kw	1,5	1,5	1,5	1,5

Dimensions in mm:

Description		PC1	PC2	PC3	PC4
Top edge pivoting area	A	2000	2000	2000	2000
Bottom edge tilted bell	B	540	470	430	400
Depth grinding bell	C	1640	1720	1800	1900
Depth base frame	D	800	800	800	800
Opening bell body	E	250	250	280	280
Width bell body	F	540	630	720	795
Depth bell body	G	425	525	600	675
Width grinding bell	H	730	730	770	810



PC

Technical features:

- Improved circulation and mixing of parts

