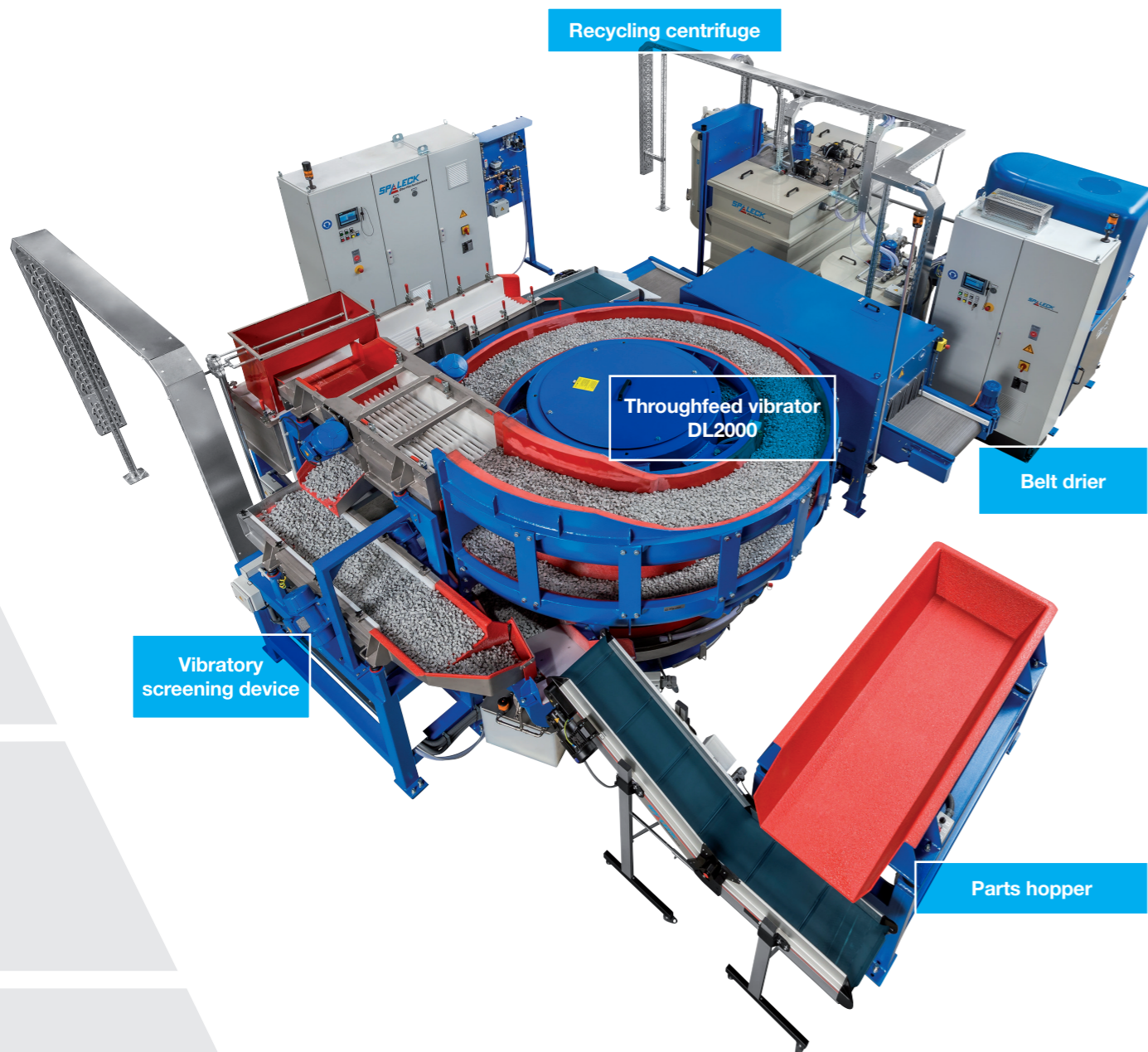


AUTOMATED COMPLETE SYSTEM  
**DL2000**

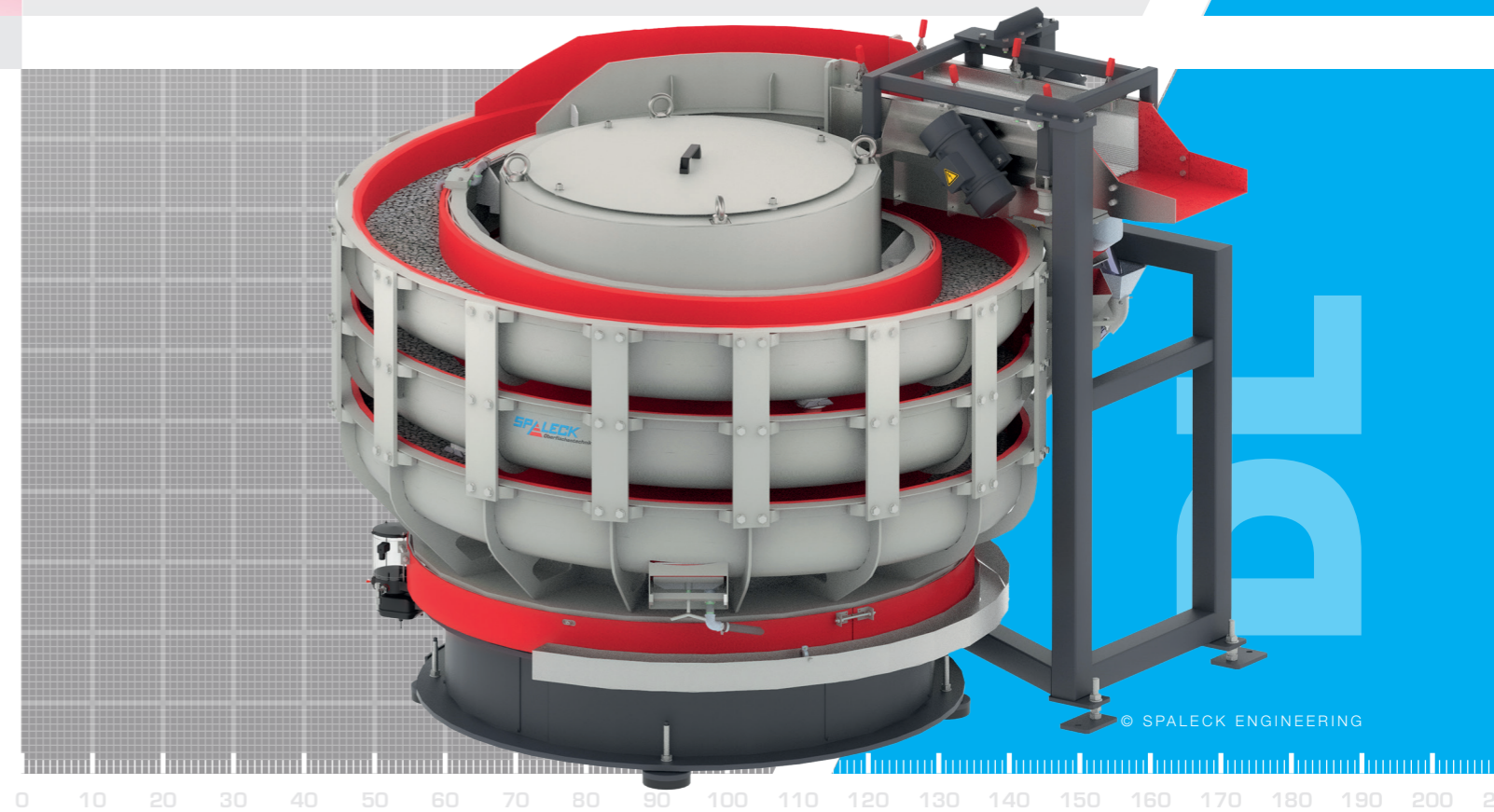
THROUGHFEED VIBRATORS  
**DL**



Misprints, mistakes and construction deviations reserved.

www.bn-medienagentur.de

Throughfeed vibrators DL · eng · 05 · 2023



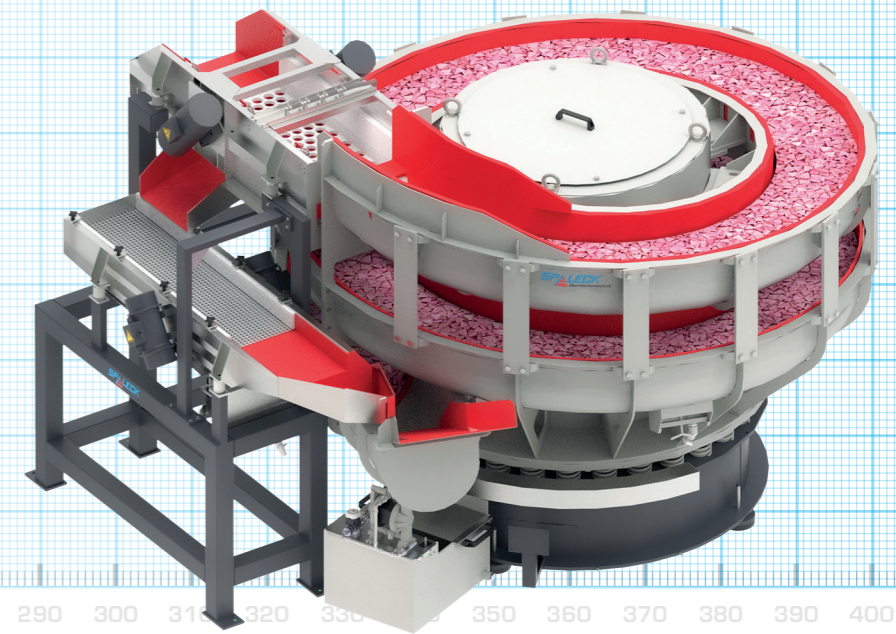
© SPALECK ENGINEERING

**Deburring · Edge rounding**  
**Cleaning · Degreasing**

Compact, space-saving machine design with multiple spirally arranged working tub. Ideal to treat different parts in a continuous process. Gentle and low-contact treatment thanks to timed addition of parts.



# THROUGHFEED VIBRATORS DL



**Technical data:**

- Space-saving design with high rate of production
- Tub lining made of wear-resistant polyurethane
- Continuous return of processing media on two or three levels
- Integrated separation unit to separate media and parts as well as to remove undersize media (undersize separation)

**Optional features:**

- Additional separation zone for the separation of parts and media
- Sound protection cabin to encase the whole production unit
- Integration into a complete production line including feeding and discharge, cleaning as well as drying of the parts

**Technical data:**

Description		DL600	DL1000	DL2000
Working tub volume	l	340	1000	2000
Length of processing zone	m	11	18	14
Levels of processing zone		3	3	2
Operating voltage	V   Hz	400   50	400   50	400   50
Drive power	kW	3,0	12,4	12,4
Empty weight basic machine	kg	2000	3700	4400
Operating weight max.	kg	3000	5500	7000
Space requirement	m <sup>2</sup>	3	7	10

**Dimensions in mm:**

Description		DL600	DL1000	DL2000
Width throughfeed vibrator incl. separation unit	A	2060	2690	3620
Width discharge	B	350	390	540
Length throughfeed vibrator incl. separation unit	C	1850	2600	2970
Diameter throughfeed vibrator	D	1480	2325	2830
Width working tub	E	240	255	395
Bottom edge discharge	F	1200	1710	1770
Top edge throughfeed vibrator	G	1680	2105	2280
Width entry	H	300	360	560
Bottom edge entry	I	835	860	1220

