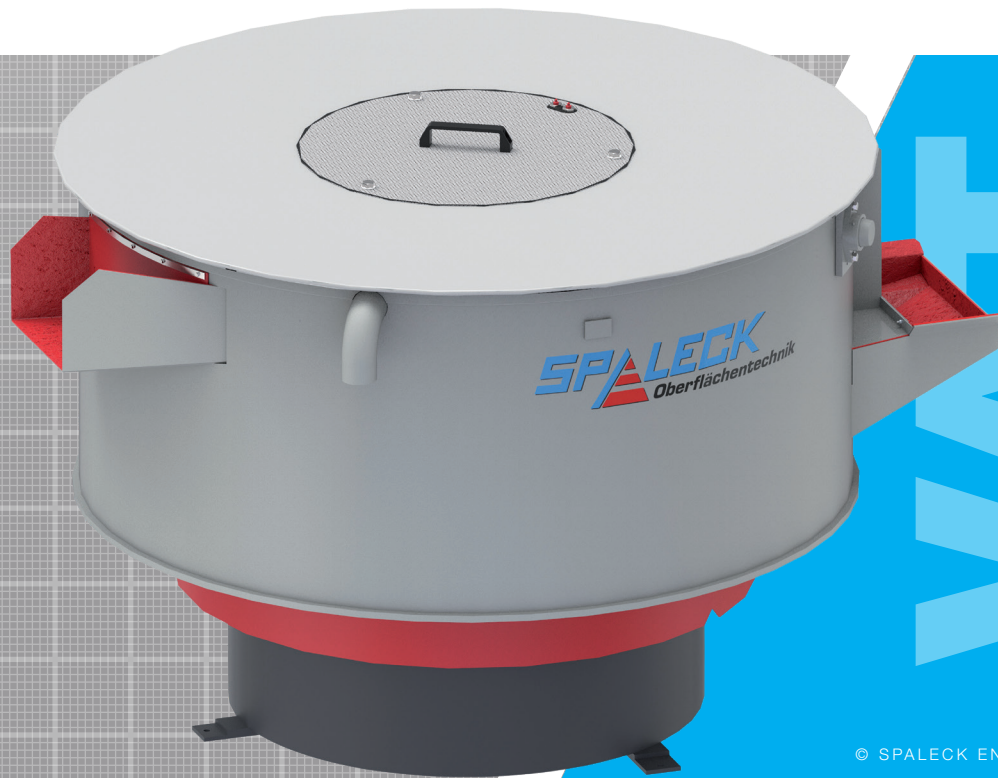


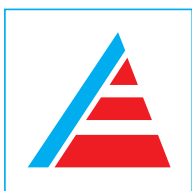
ROUNDTUB DRIERS  
**VAT**



© SPALECK ENGINEERING

**Spotless drying and polishing of all types of parts**

Direct heating system including control and regulation circuit for optimum energy efficiency. For the drying of parts after surface finishing or ball burnishing. Perfectly suited for direct passage as well as for an optional batch processing of parts.



MADE IN GERMANY

[www.spaleck.biz](http://www.spaleck.biz)



# ROUND TUB DRIERS VAT

### Technical features:

- Extended screening zone to enable a granulate-free discharge of parts
- Steady rise of the working tub for a good movement
- Opposite feeding and discharge for an integration into linear production
- Heating capacity as needed

### Optional features:

- Manual or pneumatic pendulum flap for multiple circulation of parts
- Blow-off unit above the separation unit
- Tub lining made of polyurethane
- Flexible dust cover and extraction

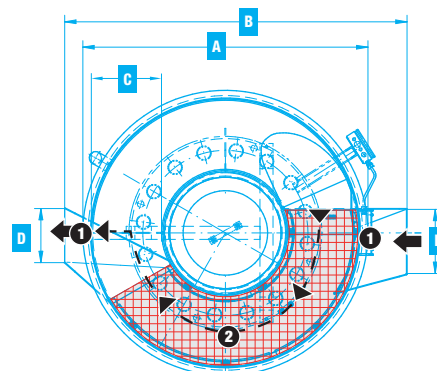
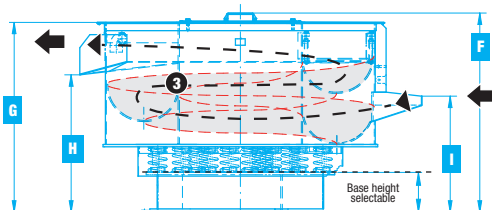
### Technical data:

| Description                |                | VAT11     | VAT33     | VAT55    |
|----------------------------|----------------|-----------|-----------|----------|
| Working tub volume         | l              | 120       | 230       | 550      |
| Operating voltage          | V   Hz         | 400   50  | 400   50  | 400   50 |
| Drive power                | kW             | 1,6 - 2,2 | 1,6 - 2,2 | 3,0      |
| Motor speed                | Rpm            | 1460      | 1500      | 1460     |
| Heating capacity max.      | kW             | 4,8       | 3,6   7,2 | 6   12   |
| Empty weight basic machine | kg             | 500       | 700       | 1350     |
| Operating weight max.      | kg             | 750       | 1200      | 2600     |
| Space requirement          | m <sup>2</sup> | 1,7       | 2,4       | 3,7      |

### Dimensions in mm:

| Description                           |   | VAT11 | VAT33 | VAT55 |
|---------------------------------------|---|-------|-------|-------|
| Diameter drier                        | A | 1125  | 1350  | 1755  |
| Width drier incl. entry and discharge | B | 1440  | 1655  | 2110  |
| Width working tub                     | C | 250   | 320   | 420   |
| Width discharge                       | D | 280   | 325   | 335   |
| Width entry                           | E | 280   | 400   | 450   |
| Top edge drier                        | F | 850   | 910   | 1225  |
| Top edge working tub                  | G | 780   | 850   | 1170  |
| Bottom edge discharge                 | H | 540   | 565   | 845   |
| Top edge entry                        | I | 460   | 450   | 715   |

\*With standard base



- 1 Parts entry and discharge in one line
- 2 Extended screening zone
- 3 Steady rise

© SPALECK ENGINEERING